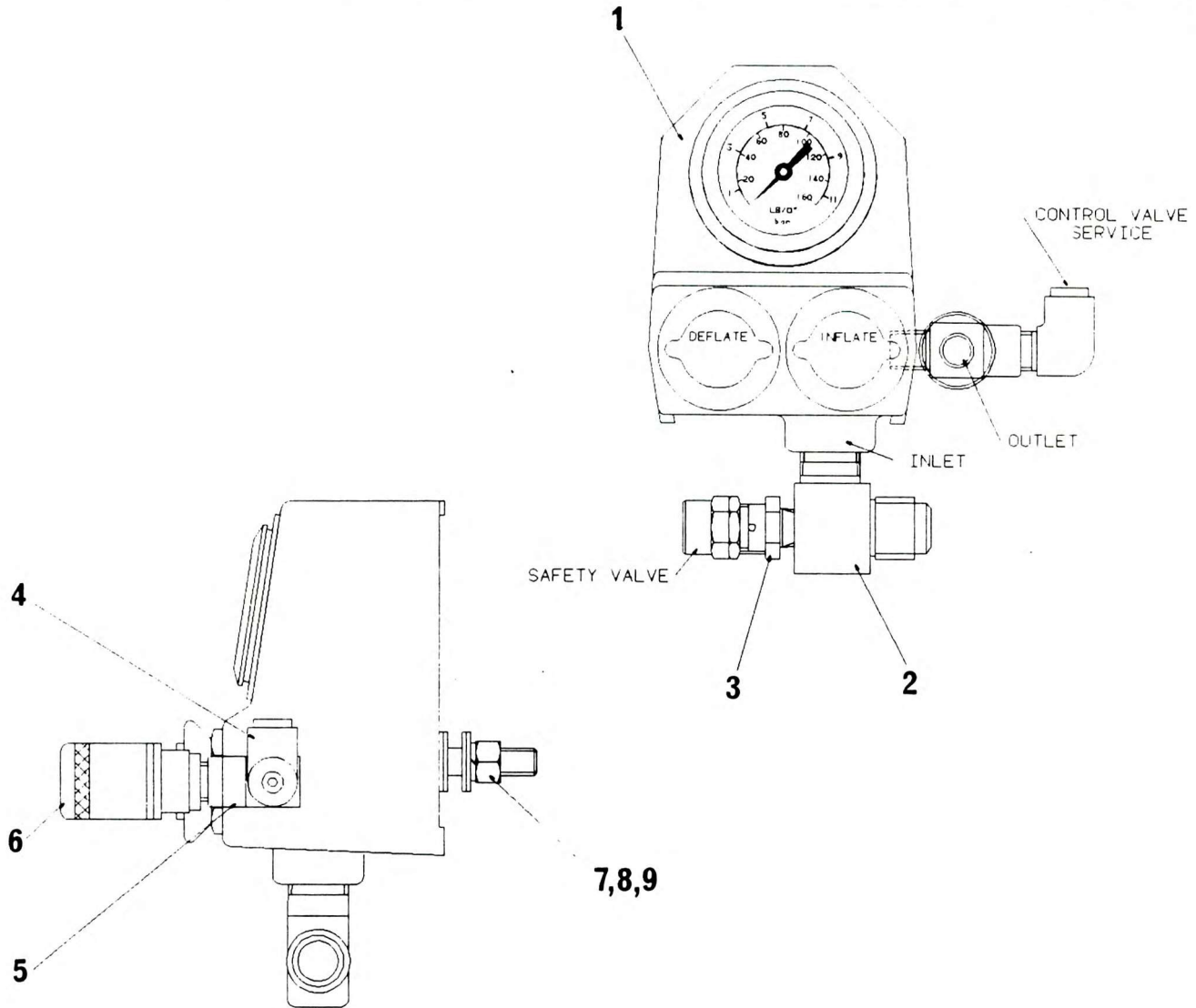


VALVE TYRE INFLATOR SUB ASSY



NO.	PART NO.	QTY.	DESCRIPTION	NO.	PART NO.	QTY.	DESCRIPTION
1 +	8938629	1	Tyre Inflator Valve				
2	6-443-990156	1	Elbow Rework $\frac{3}{8}$ " - $\frac{1}{2}$ " - $\frac{1}{4}$ "				
3	8352964	1	Safety Valve				
4	7-443-991020	1	Fixed Elbow Adaptor				
5	7-888-000033	1	Service Tee				
6	7-364-990021	1	Air Line Coupling				
7	7064101	2	Nut $\frac{3}{8}$ "				
8	7066516	2	Washer Plain $\frac{3}{8}$ "				
9	7067206	2	Washer Spring $\frac{3}{8}$ "				

+ See further breakdown in this group